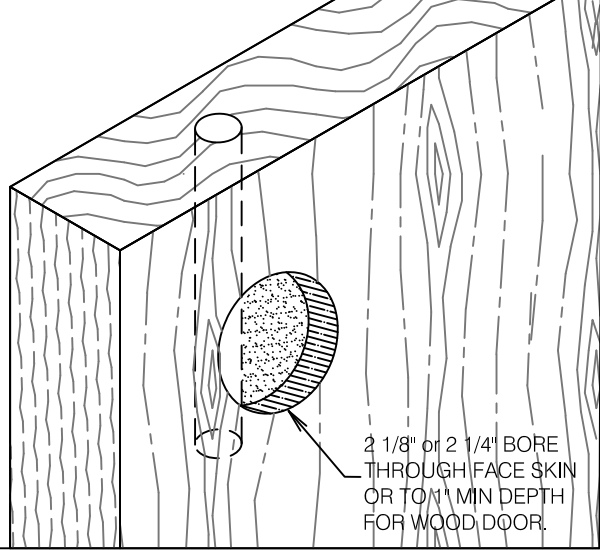


A

1. MARK 3/4" HOLE ON TOP OF DOOR WITH TEMPLATE. (7/8" TO CENTER AND 1 7/8" FROM EDGE)
2. BORE 3/4" HOLE, (IN THE CASE OF METAL, FIBERGLASS AND ALUMINUM DOORS PENETRATE THE SKIN AND REMOVE FOAM INSIDE AS NEEDED. IN THE CASE OF A WOOD DOOR BORE DOWN CENTER OF DOOR TO DEPTH OF 5 1/2 INCHES.)

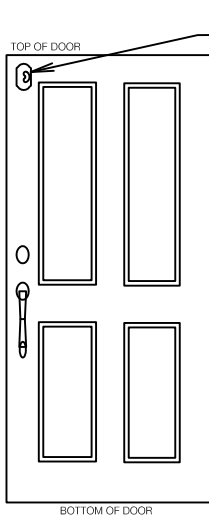
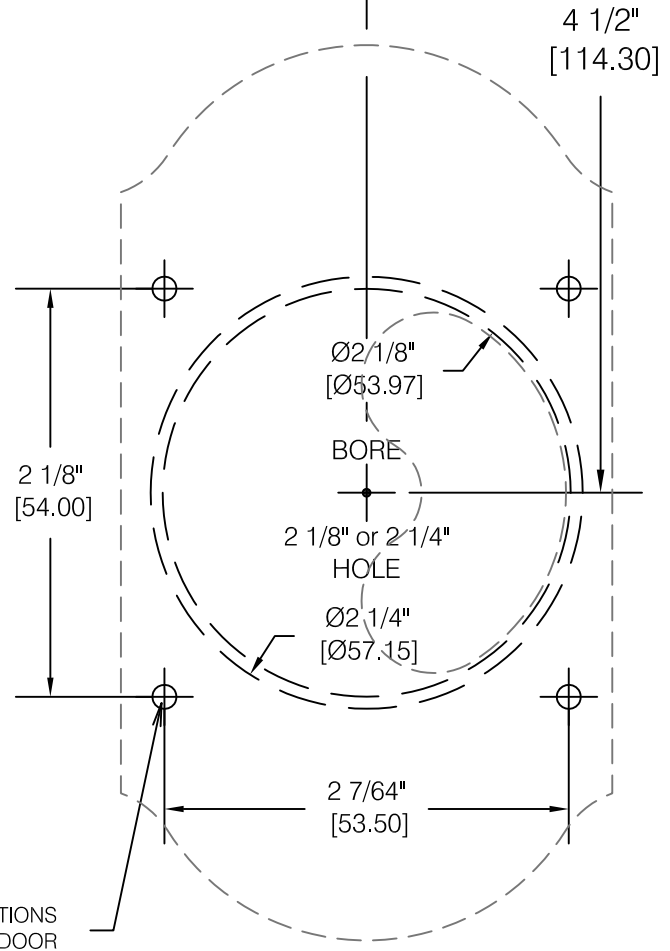


FOLD HERE AND PLACE ON SIDE EDGE OF DOOR

2 1/8" or 2 1/4" BORE THROUGH FACE SKIN OR TO 1" MIN DEPTH FOR WOOD DOOR.

B

1. MARK 2 1/8" or 2 1/4" HOLE ON FACE OF DOOR WITH TEMPLATE. (2 3/8" TO CENTER FROM EDGE AND 4 1/2" FROM TOP)
2. MARK (4) SCREW HOLES WITH TEMPLATE.
3. BORE 2 1/8" or 2 1/4" HOLE IN FACE OF DOOR. (IN THE CASE OF METAL, FIBERGLASS AND ALUMINUM DOORS PENETRATE THE SKIN AND REMOVE FOAM INSIDE. IN THE CASE OF A WOOD DOOR BORE TO DEPTH OF 1 INCH).



TRI-BOLT CORRECT INSTALLATION IS OPPOSITE HINGE SIDE

MARK SCREW LOCATIONS ON FACE OF DOOR

Legend

Inches → 2 1/8"
 Millimeters → [54.00]



**INSTALLATION INSTRUCTIONS
 THE "TRI-BOLT" DOOR LOCK
 LEFT SIDE INSTALLATION**